



575 SERIES

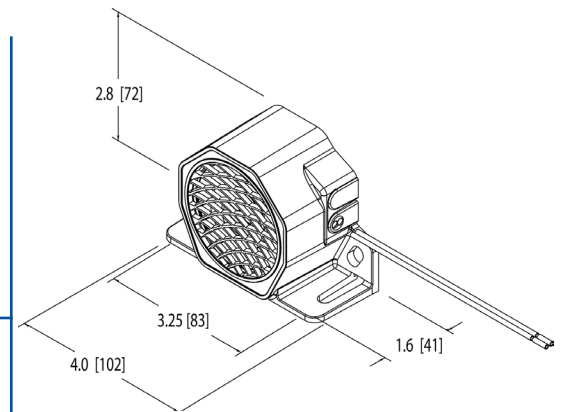
The 575 Series provides a high dB(A) alarm in a compact housing for use in less arduous environments where ambient noise level is high. ECCO specifically designed these products to meet our quality standards, yet provide a cost-considerate product. The reinforced nylon housing provides rugged durability and the epoxy-encapsulated circuit board protects the electronics from vibration and moisture. ECCO's unique grill design meets the requirements of SAE J994 for high-pressure washing. The 575 provides a high dB(A) alarm with exceptional reliability at a reasonable cost.

Models

PART NO.	VOLTAGE	dB(A)	AMPS	APPROVALS
575	12-24	107	1.3	SAE Type B, CE, e UL, AMECA

Features and Benefits

- Compact size and universal mounting bracket maximizes location options
- Reverse polarity, voltage spike and surge protected
- Works on positive and negative ground systems
- Epoxy sealed to protect against dust, moisture and vibration
- AMECA certified to SAE J994
- Temperature Range: -40°F to +185°F (-40°C to +85°C)
- 2 Year Warranty



Alarm Specifications

Connection: 16 AWG blunt cut wires
 Reinforced nylon housing
 Recommended mounting bolt: 1/4" Grade 5
 Recommended washer: 1/4" Type A, Series N or W
 Recommended mounting torque: 76 in. lbs.

**Need to find an alarm?
 There's an app for that.**

Scan the QR Code to learn how or search ECCO Mobile in your app store.

