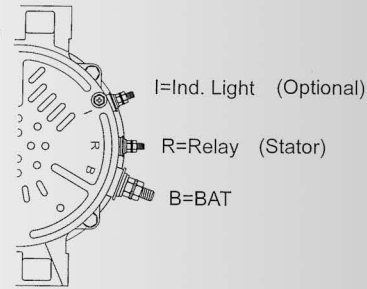
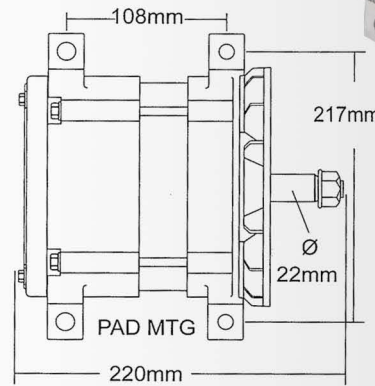
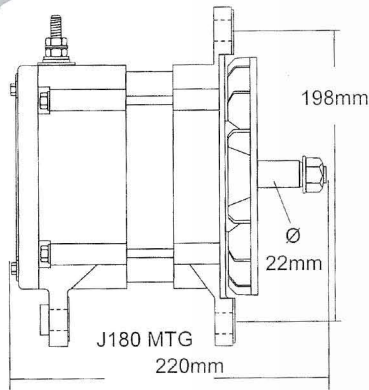
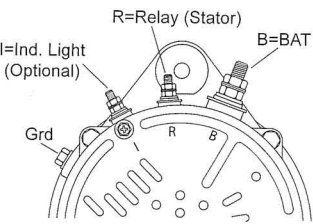
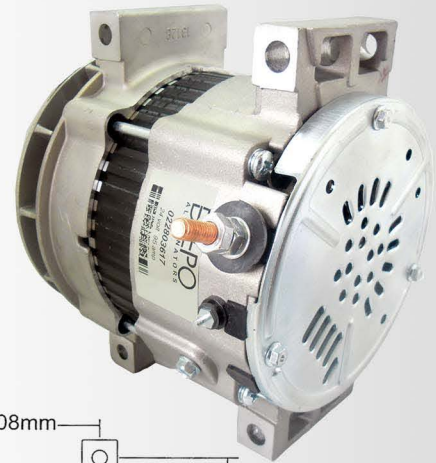


**NEW REPLACEMENT DENSO  
BRUSHLESS ALTERNATORS**



**022803619**

**022803617**

- 95 Amp/24 Volt, CW, w/o Pulley
- J-MOUNT
- BRUSHLESS
- Denso IR/EF
- MFR:DENSO
- DESIGN:IR/EF
- VOLTAGE:24
- AMPERAGE:95
- ROTATION: CW
- PULLEY CLASS:w/o Pulley

**Application:**

Caterpillar (1996-2003),  
Freightliner (1998-2003),  
Mack (1998-2003)

**Replaces:**

**Caterpillar:** 0R4841, 185-5294,  
1978820,  
**Denso:** 101211-8140,  
101211-8340, 101211-8341  
[electrolg](http://electrolg.com) ALT6078

- 95 Amp/24 Volt, CW, w/o Pulley
- Denso Brushless IR/EF
- MFR:DENSO
- MFR SERIES:Brushless
- DESIGN:IR/EF
- VOLTAGE:24
- AMPERAGE:95
- ROTATION: CW
- PULLEY CLASS:w/o Pulley

**Application:**

Caterpillar various

**Replaces:**

**Caterpillar:** 226-7683  
**Denso:** 101211-8400, 101211-8460  
**Perkins:** 2871A703  
[electrolg](http://electrolg.com) ALT6063

